



JRE HARDWARE INC
 1870 DUFFERIN CRES
 NANAIMO BC
 V9S 1H1 (250) 824.5555
 WWW.JREHARDWARE.COM

MODEL N^o: AMOR

ISSUED: AUG 2021




REVISED:



Alternate Tissue Holder:



Finishes:

- chrome 
- nickel brushed 
- ORB 

Specification

Toilet & Bath Accessory line shown is composed zinc & stainless steel.

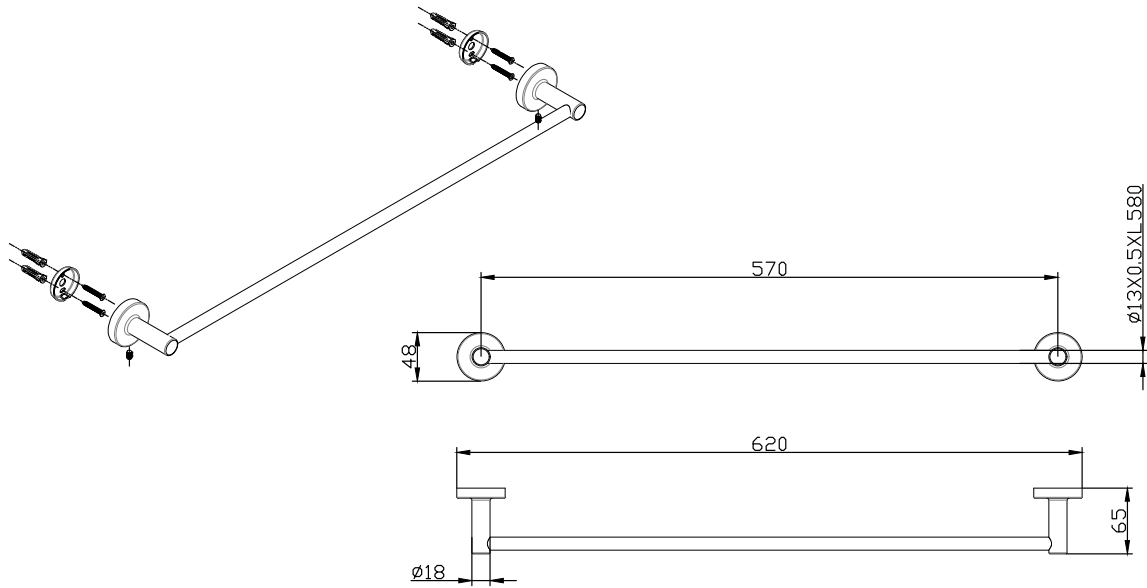
Installation

Position the fully assembled fixture on the wall where desired. Mark the outline of each post lightly with a pencil. Ensure the unit is level before the holes are drilled. Verify direction of mounting bracket. Centre the mounting bracket on wall within the post outline and mark the holes. (For drywall installation, pre-drill holes, insert anchors, then attach bracket with flat side against the wall using the screws provided. For drywall into stud installation, pre-drill holes, then attach bracket with flat side against the wall using the screws provided. No anchors required.) Loosen the set screw on the fixture, place the fixture onto the mounting bracket and tighten set screw.

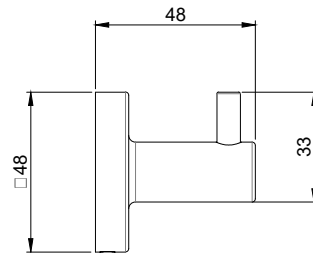
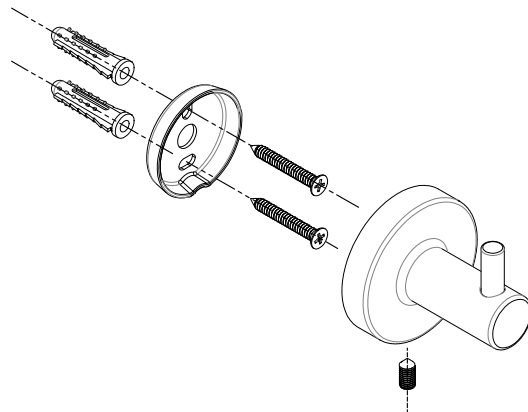
Strength

Accessories in the JRE Hardware Toilet & Bath collections are not intended for use as safety/grab bars. Each product is only as strong as the anchors and walls to which they attached and, therefore, must be firmly secured in order to support the loads for which they are intended. To avoid potential injury, the owner or maintenance personnel should remove the product should it not be adequately secured to wall or if there is any observed damage to the product.



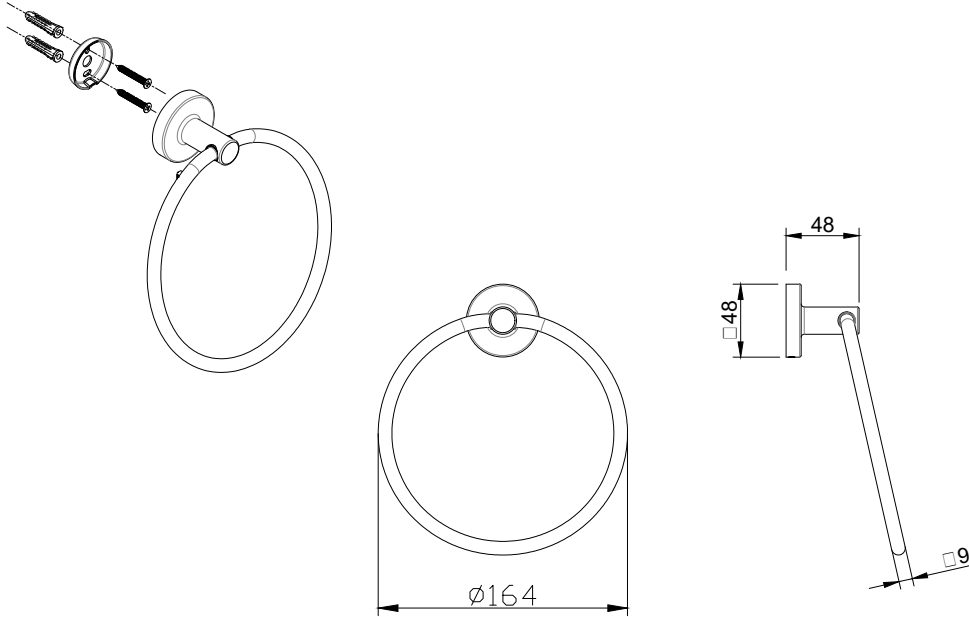


24" Towel Bar

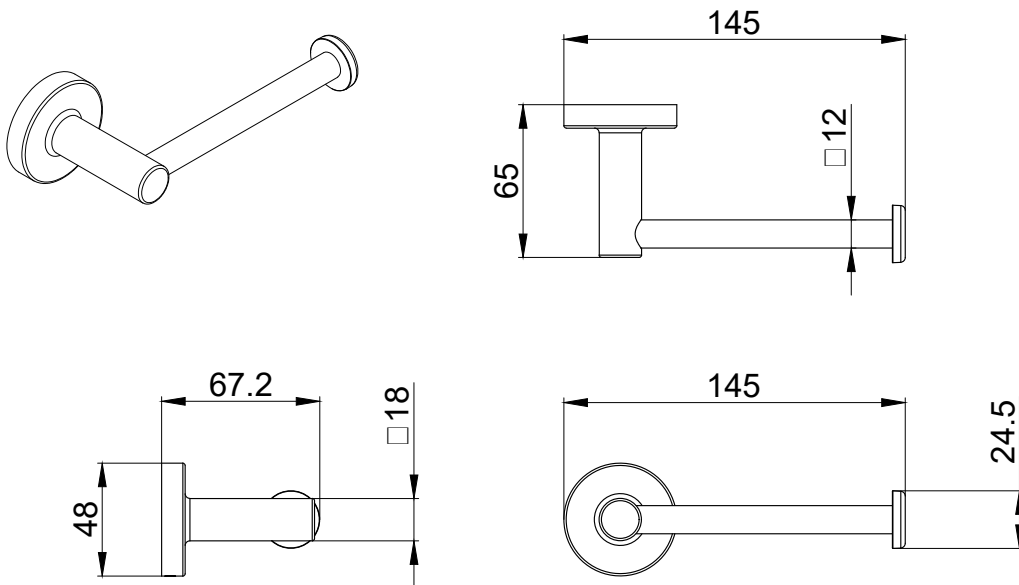


Hook





Towel Ring



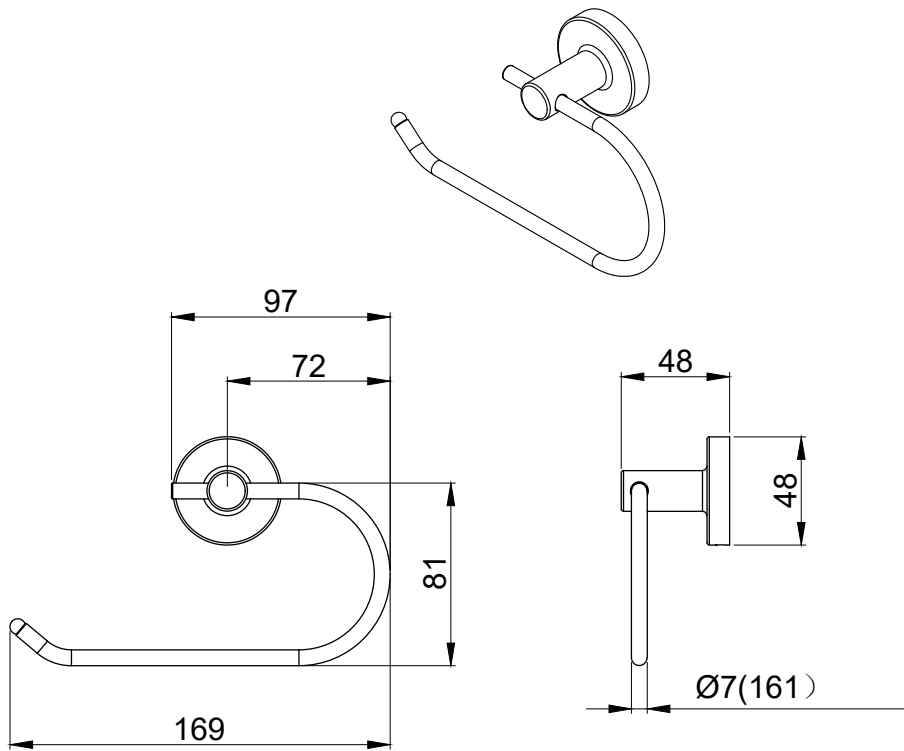
Tissue Holder Option 1



J.R.E.
HARDWARE INC.

JRE HARDWARE INC
1870 DUFFERIN CRES
NANAIMO BC
V9S 1H1 (250) 824.5555
WWW.JREHARDWARE.COM

MODEL N ^o :	AMOR
ISSUED:	AUG 2021
REVISED:	



Tissue Holder Option 2

